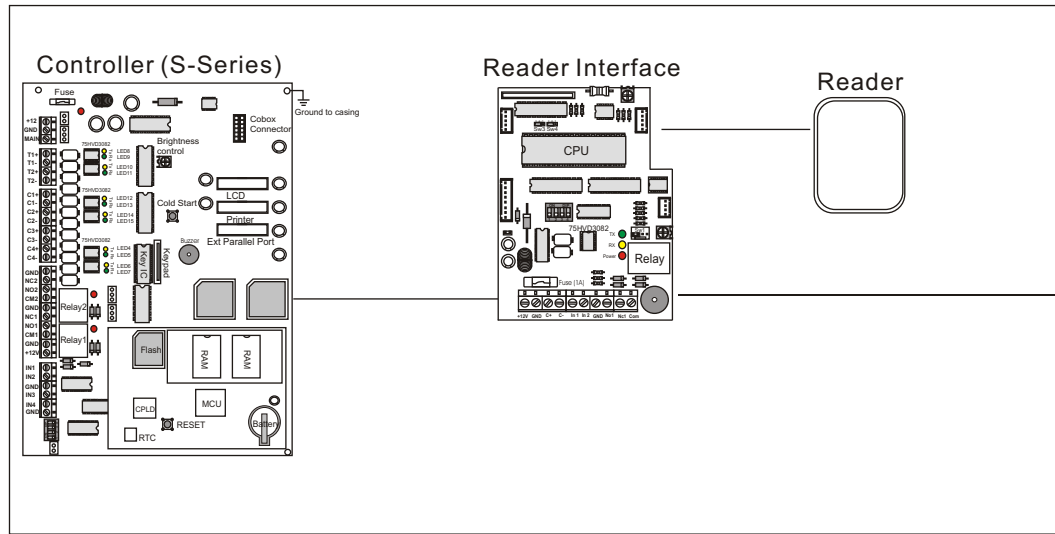


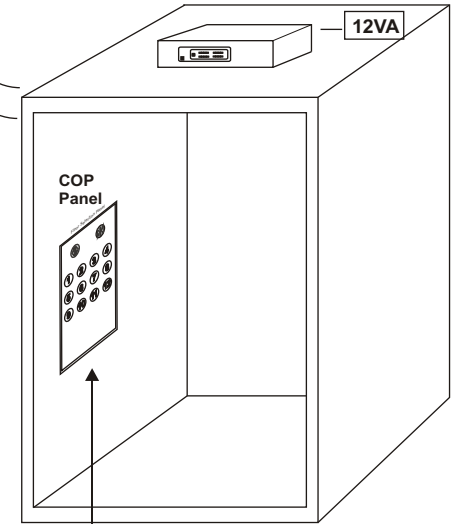
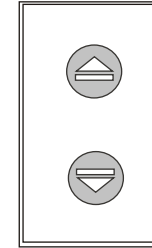
S-Series Lift Access System Diagram

Call Lift System



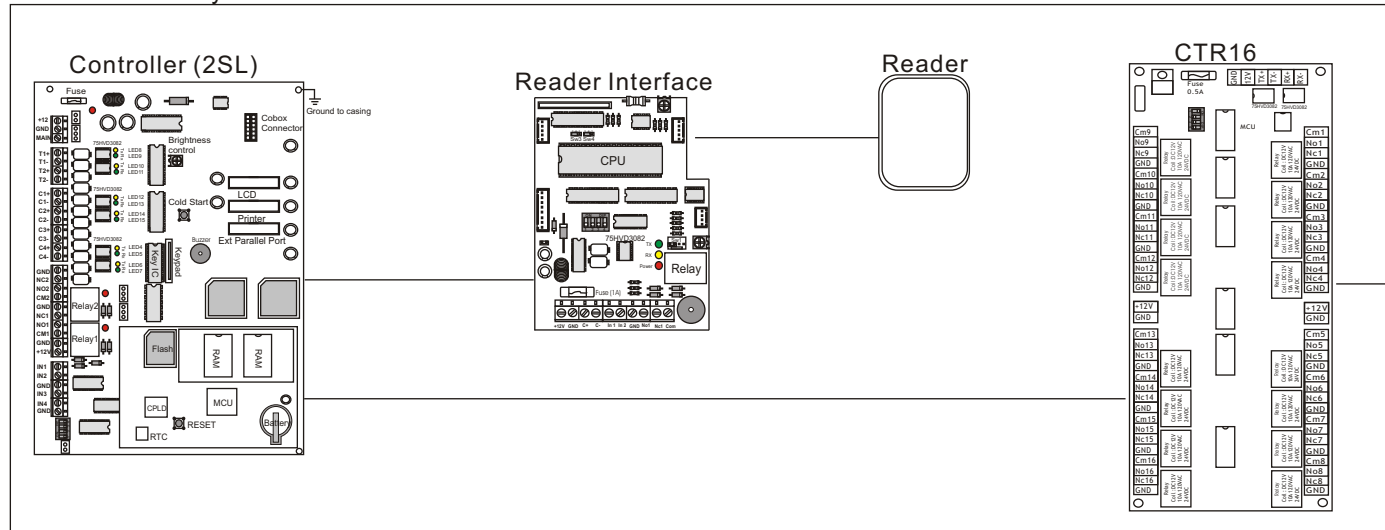
2 Cores Required from the Travelling Cable for Communication

Call Lift Panel



Lift Car

Floor Selection System



File	SL DIAGRAM v1.2
Date	200509
Company	Cass Technology Sdn Bhd