

422 - 422 PED.

hydraulic actuator

for residential and light commercial swing-leaf gates
two-leaf with single leaf length of 1.8 m (422 CBC-CBAC) and 3 m (422 SB)
single-leaf with length of 3 m (422 SBS)
single pedestrian leaf with length from 0.8 m to 1.2 m (422 PED CBC-SB)

available at AFW Access Systems

3670 NW 79th Street • Miami, FL 33147 • Phone: 305-691-7711 • Fax: 305-693-1386 • E-mail: sales@anchormiami.com



HIGHLY VERSATILE

The wide range of FAAC 422 offers different options: with or without hydraulic locking for swing-leaf gates in four models from 1.2 to 3 metres in length per leaf, and for pedestrian gates in two models from 0.8 to 1.2 metres.

MAXIMUM SAFETY

The exclusive hydraulic device, ensuring maximum anti-crushing protection, features two highly sensitive by-pass valves. In case of an emergency, the customised release key and a special ergonomic release makes it possible to operate the gate manually.

LOW NOISE AND RELIABILITY REQUIRING LITTLE SPACE

Few components and the use of hydraulic oil as motor fluid are the secrets ensuring very quiet movement and reliability under all atmospheric conditions and in an outdoor temperature range of -20°C to +55°C.

FAAC QUALITY GUARANTEED THROUGH TIME

On top of the undisputed advantages of FAAC's hydraulic system, there is also corrosion proof coating highly resistant to atmospheric agents with guaranteed long-life.

SPECIFICATIONS

Hydraulic actuator with piston for swing-leaf gates • Models available with hydraulic locking in closed position, open and closed position, and without any locking • Models suitable for max leaf length up to 3.0 m • Max use frequency 55 cycles/hour • Pillar installation • Leaf opening inwards or outwards • Max opening angle 110° • Max traction/thrust force of 690 daN • Rod speed 1 cm/s • Rod effective stroke 240 mm • Electric motor power supply 230 V (+6% -10%) - 50(60) Hz • Electric motor power 220 W • Thermal protection at 120° built into motor winding • Overall dimensions (Length x Width x Height) 987x90x85 mm • Protection class IP55 • Operating ambient temperature -20°C +55°C • Built-in release device with customised key • Single-phase motor with two rotation directions (1.400 rpm) • Hydraulic gerotor pump (max low noise) • Pressure die-cast distribution flange • Separate control of opening and closing force by by-pass valves with tamper-proof plate • Anti-crushing safety to UNI 8612 standards • Rod in stainless steel • Fastening to front fitting by ball joint • Tank and piston protective housing in anodised aluminium • Air breather screw • Mineral hydraulic oil with additives • Models for pedestrian gates • Leaf length from 0.8 to 1.2 m • Use frequency of 70 cycles/hour • Max traction/thrust force of 380 daN • Rod extension speed 2 cm/s • Pump flow rate 1.5 l/min • Rod effective stroke 160 mm

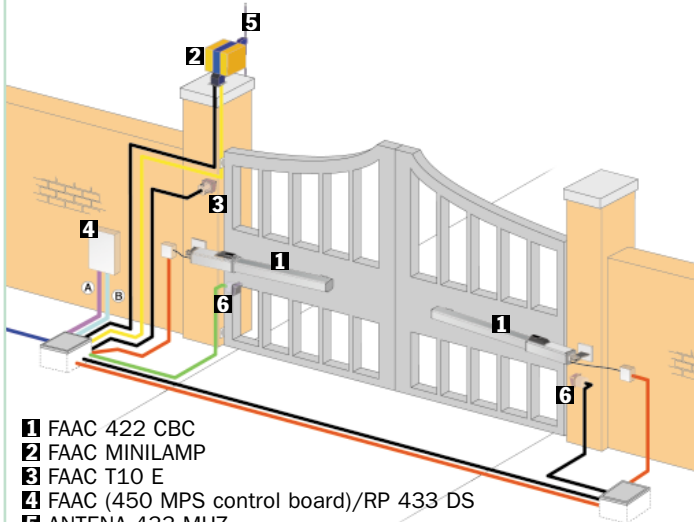


Rod protective housing

Oil tank

Key-operated emergency release

INSTALLATION DIAGRAM SPECIMEN



- 1** FAAC 422 CBC
- 2** FAAC MINILAMP
- 3** FAAC T10 E
- 4** FAAC (450 MPS control board)/RP 433 DS
- 5** ANTENA 433 MHZ
- 6** FAAC PHOTOBEAM

Low voltage cabling		Power cabling (230V)	
(A)	3 cables 3x0,5	(B)	2 cables 3x1,5+T
	1 cable 2x0,5		1 cable 2x1,5+T
			1 cable 2x1,5

N.B.: Cable diameters in mm²

Model	Use		
	Single leaf max length (m)	Nr. of leaves	Use frequency (cycles/hour)
422 CBC	1.80	2	55
422 CBAC	1.80	2	55
422 SB	3.00	2	55
422 SBS	3.00	1	55
422 PED. CBC	1.20 (min 0.80)	1 (pedestrian)	70
422 PED. SB	1.20 (min 0.80)	1 (pedestrian)	70

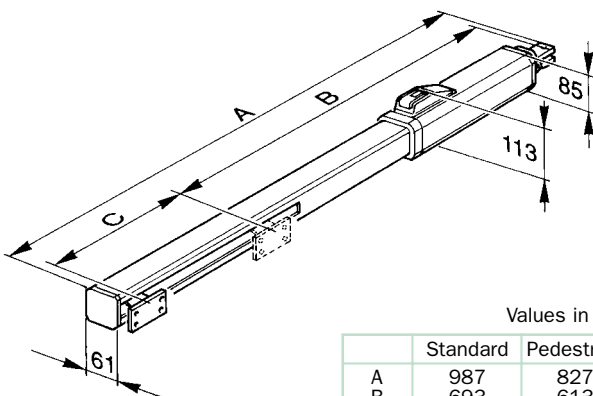
Specifications of 450 MPS electronic equipment

Power supply	230 V~ (+6% -10%) 50 (60) Hz
Transformer power	35 VA
Accessories output	24 Vdc 500 mA max
Maximum load of motors	800W
Operating ambient temperature	-20°C +55°C
Four protection fuses	5 A motor - 0.8 A accessories 0.25 A logic - 16 A electric lock
Output for electric lock	12 Vac 12 VA
Leaf opening delay	2.5 s
Enclosure dimensions Mod. L	213x270x118 mm (LxHxD)
Protection class	IP 55

- **Input signalling LED**
- **Programmable functions**
 - Six function logics - "Closing photocell" function logic - Torque control trimmer - Pause time control trimmer - Motion time control trimmer - Trimmer for controlling leaf closing delay - Reversing stroke for electric lock -
- **Indicator-light • Free leaf • Opening and closing safety devices inputs • SMT Technology • Photocells fail safe**

N.B.: Timed electronic deceleration is possible by using the 460 P equipment. By combining the device with GATECODER, in addition to electronic deceleration, the electronic obstacle detection function is also available. (see page 89)

Dimensions



Values in mm

	Standard	Pedestrian
A	987	827
B	693	613
C	240	160

Technical specifications	422 CBC	422 CBAC	422 SB	422 SBS	422 PED. CBC	422 PED. SB
Power supply	230 V~ (+6% -10%) 50 (60) Hz					
Absorbed power	220W					
Absorbed current	1 A					
Motor rotation speed	1.400 rpm					
Rod extension speed	1 cm/s				2 cm/s	
Pump flow rate	0,75 l/min				1,5 l/min	
Traction and thrust force	0÷690 daN				0÷380 daN	
Operating ambient temperature	-20°C +55°C					
Thermal protection on motor winding	120°C					
Weight	7 kg					
Type of oil	FAAC OIL XD 220					
Protection class	IP 55					