



BROADBAND CAPABLE: ONE NETWORK CAMERA FOR 24-HOUR SURVEILLANCE

New from Panasonic, the WV-NP472 directly connects to either digital or analog devices. Simply set an IP address and connect it to an **Ethernet terminal** for monitoring and control from a personal computer. Or use the analog video out to connect to conventional monitoring systems using coaxial cable.



The WV-NP472 camera utilizes Panasonic's **Super Dynamic II** function to capture natural images at entryways, near windows, and in other locations with harsh contrasts between light and dark. It automatically stores images in repose to inputs from motion detectors and external sensor alarms and can send images automatically as e-mail attachments. In addition, this color camera can also control external devices, turning on lighting or starting a surveillance recorder working. It operates with only 0.8 lx (0.08 fc) of available light in color mode and a mere 0.1 lx (0.01 fc) in black and white. Its **Day/Night switching** function automatically switches to black-and-white recording when available light is low. Thus, this single security camera can deliver 24-hour surveillance.

The WV-NP472 is designed for monitoring over a WAN or over the Internet a snap. Its sophisticated surveillance functions make this the network security camera of choice for a wide range of settings, including banks, office buildings, and franchise outlets.

KEY FEATURES

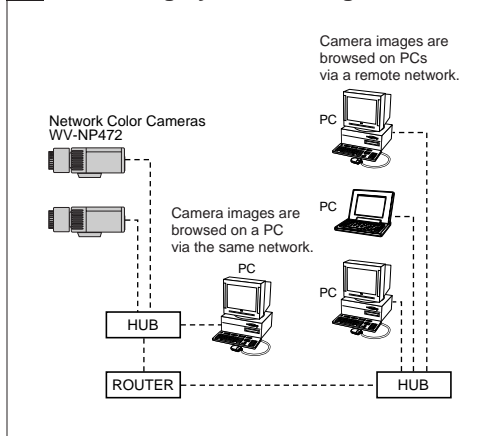
- 1/3-type double speed CCD color image sensor.
- Built-in network interface (10Base-T/100Base-TX) for remote monitoring by PC.
- Interface protocol ; TCP/IP, HTTP, FTP, SMTP, DNS and DHCP.
- Switches from selected color mode to B/W mode automatically or manually, for 24-hour monitoring.
- Built-in **Super Dynamic II** function has 64 times wider dynamic range when compared to a conventional camera.
- Super sensitivity of 0.8lx (0.08fc) in color mode, and 0.1lx (0.01fc) in B/W mode at F1.4.
- 480-line in color mode, and 570-line in B/W mode horizontal resolution.
- Built-in Alarm function for external security devices, and FTP alarm activation.
- Built-in digital motion detector.
- Built-in 16 alphanumeric character display.
- Electronic sensitivity enhancement (Auto; up to 10x, Manual; up to 32x, and Off)
- Digital signal processing LSI's for high quality pictures.
 - 2H vertical enhancement for greater picture sharpness.
 - Chroma averaging circuit for better color signal-to-noise ratio.
 - Minimum of aliasing on fine objects.
 - Expanded dynamic range by knee circuit.
 - Highlight aperture correction for greater picture details of bright objects.
- VD2 sync capability with Panasonic system products.
- Accepts DC 12V power supply for easy installation.

WIDE VARIETY OF OPTIONAL LENSES

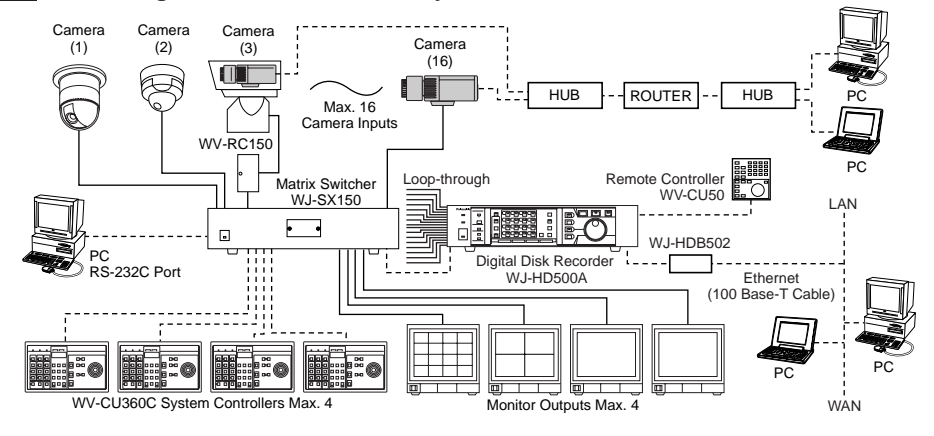
Auto Iris Lenses WV-LA2R8C3B WV-LA4R5C3B WV-LA9C3B	High-Speed Lenses WV-LA210C3 WV-LA408C3 WV-LA908C3	Zoom Lenses WV-LZ61/10 (x10) WV-LZ61/15 (x15)	Vari-focal Lenses WV-LZA61/2 WV-LZF61/2 WV-LZ62/8

SYSTEM EXAMPLES

1 Monitoring System utilizing an Intranet



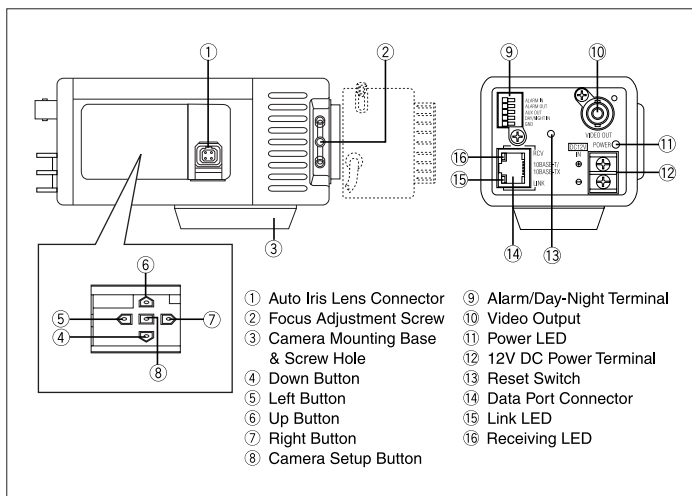
2 Monitoring with Panasonic Matrix Systems



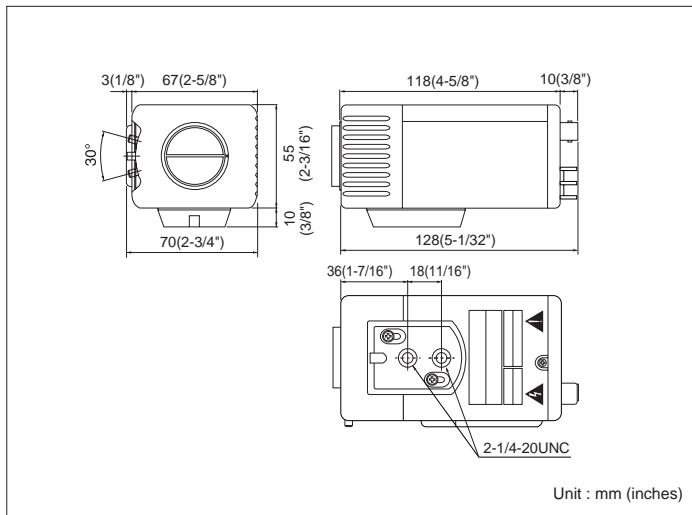
SPECIFICATIONS

Camera Function	
Pick-up Device	1/3-type interline transfer CCD image sensor
Effective Pixels	771 (H) x 492 (V) pixels
Synchronization	Internal or Multiplexed Vertical Drive (VD2) sync
H. Resolution	570-line at B/W mode, 480-line at color mode
Min. Illumination	0.1lx (0.01fc) at B/W mode, 0.8lx (0.08fc) at color mode at F1.4.
S/N Ratio	50dB (at AGC off)
D. Range	46dB (typical)
Lens Mount	CS-Mount
Super Dynamic II	On/Off Selectable
Electronic Sensitivity Up	Fix: 32x (max.), Auto: 10x (max.)
Motion Detector	On/Off Selectable
Color/B/W Select	On/Off/Auto Selectable
Network Function	
Image Compression Type	JPEG
Image Size	JPEG: VGA (640 x 480), HVGA (640 x 240), QVGA (320 x 240) and QQVGA (160 x 120)
Protocol	TCP/IP, HTTP, FTP, SMTP, DNS and DHCP
Alarm Activation	Alarm input, Motion detector
Alarm Notice	Alarm output / Mail by E-mail
Alarm Log	Maximum 100
Alarm Recording	Multi-shot
Interface	10Base-T/100Base-TX (RJ-45 x 1)
General	
Video Output	VBS1.0V[p-p]/75Ω, Composite signal
Parallel Port	Alarm input x 1, Alarm output x 1, Aux output x 1, BW/color select
Power Supply	DC12V
Power Consumption	700mA
Ambient Operating Temperature	-10°C ~ +50°C (14°F ~ 122°F)
Dimensions	67 (W) x 65 (H) x 118 (D) mm [2-5/8" x 2-9/16" x 4-5/8"]
Weight (approx.)	510g (1.12 lbs.)

MAJOR OPERATING CONTROLS



APPEARANCE



OPTIONAL COMPONENTS

DIGITAL DISK RECORDERS	MATRIX SYSTEMS
WJ-HD500A (with 16ch Multiplexer) WJ-HD200 (with 8ch Multiplexer) WJ-HD100	SYSTEM850 SYSTEM500 SYSTEM150
DIGITAL MULTIPLEXERS	COLOR MONITORS
WJ-FS616C (16ch) WJ-FS416 (16ch) WJ-FS409 (9ch)	WV-CM2080 51cm (20") WV-CM1780 41cm (16") WV-CM1480 36cm (14") WV-CM1420 34cm (13") WV-CM1020 22cm (9")

• Weights and dimensions are approximate. • Specifications are subject to change without notice. • These products may be subject to export control regulations.



Panasonic Security & Digital Imaging Company
 A Division of Matsushita Electric Corporation of America
Security Systems Group

Executive Office : One Panasonic Way 3E-7, Secaucus, New Jersey 07094

Zone Office
 Eastern : One Panasonic Way, Suite 3E-7, Secaucus, NJ 07094 (201) 348-7303
 Central : 1707 N.Randal Road, 1C-2, Elgin, IL 60123 (847) 468-5211
 Western : 6550 Katella Ave., Cypress, CA 90630 (714) 373-7840

www.panasonic.com/cctv

DISTRIBUTED BY:

PANASONIC CANADA INC.
 5770 Ambler Drive, Mississauga, Ontario, L4W 2T3 Canada (905) 624-5010
PANASONIC SALES COMPANY
DIVISION OF MATSUSHITA ELECTRIC OF PUERTO RICO, INC.
 San Gabriel Industrial Park 65th Infantry Ave. KM. 9.5 Carolina, P.R. 00985 (809) 750-4300

Printed in Japan
 WV-JHNP472T(2P-501A)